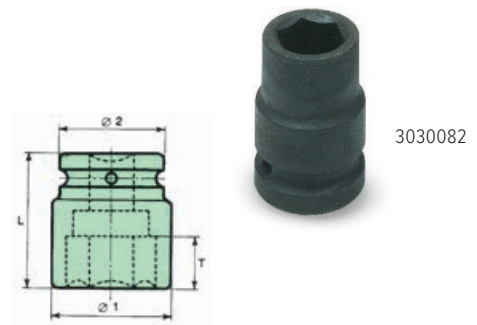


BUSSOLE ITALMATIC
ITALMATIC IMPACT SOCKETS
ITALMATIC DOUILLES

Con attacco quadro 1/2" - corte
With square drive 1/2" - short
Avec connexion carrée 1/2" - courtes

Codice Code Code	Misura mm Size in mm Dimension en mm	Ø1	Ø2	Lungh. mm Length in mm Longueur en mm	T
3030080A	14	-	-	-	-
3030080	17	26,5	30	40	10
3030081	18	27,5	30	40	12
3030082	19	29	30	40	12
3030083	20	30	30	40	12
3030084	21	31,5	30	40	14
3030085	22	32,5	30	40	14
3030086	23	34	30	40	14
3030087	24	35	30	45	16
3030087A	26	-	-	-	-
3030088	27	39	30	48	18
3030088A	28	-	-	-	-
3030088B	30	-	-	-	-
3030088C	32	-	-	-	-



Con attacco quadro 1/2 - lunghe
With square drive 1/2" - long
Avec connexion carrée 1/2" - longues

Codice Code Code	Misura mm Size in mm Dimension en mm	Ø1	Ø2	Lungh. mm Length in mm Longueur en mm	T
3030091	15	26,5	30	78	10
3030092	17	26,5	30	85	10
3030092A	18	-	-	-	-
3030093	19	29	30	85	12
3030094	21	31,5	30	85	14
3030095	22	32,5	30	85	14
3030096	24	35	30	85	16
3030096A	27	-	-	-	-
3030096B	30	-	-	-	-



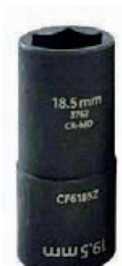
Bussole doppia 1/2"
Double impact sockets 1/2"
Doilles doubles 1/2"

Codice Code Code	Misura mm Size in mm Dimension en mm	Lungh. mm Length in mm Longueur en mm
3030093D	17/19	76
3030093E	19/21	76
3030093F	19/22	76



Bussole speciali da 1/2"
Special impact sockets 1/2"
Douilles spéciales 1/2"

Codice Code Code	Misura mm Size in mm Dimension en mm	Lungh. mm Length in mm Longueur en mm
3030097A	18.5/19.5 mm	63
3030097B	21/21.5 mm	63
3030097C	22/22.5 mm	63
3030097D	27/27.5 mm	63



3030097A



3030097B



3030097C



3030097D

Bussole con attacco quadro 1/2" - lunghe - con rivestimento in plastica
Impact sockets with square drive 1/2" - long - plastic coated
Douilles avec connexion carrée 1/2" - longues - plastifiées

Codice Code Code	Misura mm Size in mm Dimension en mm	Ø1	Ø2	Lungh. mm Length in mm Longueur en mm	T
3030098A	17	26,5	30	85	10
3030098B	19	29	30	85	12
3030098C	21	31,5	30	85	14



Bussole con attacco quadro 1/2" - extra lunghe - con rivestimento in plastica
Impact sockets with square drive 1/2" - extra long - plastic coated
Douilles avec connexion carrée 1/2" - extra longues - plastifiées

Codice Code Code	Misura mm Size in mm Dimension en mm	Ø1	Ø2	Lungh. mm Length in mm Longueur en mm	T
3030099A	17	26,5	30	150	10
3030099B	19	29	30	150	12
3030099C	21	31,5	30	150	14



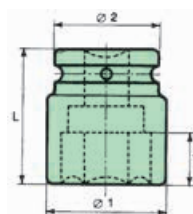
3030099C

CONTROPIEDE DI INCAICATA
 BLANKING HEATS
 VALVOLA A PULVINE
 VALVES AND EXTENSIONS
 COPERTURE
 CAPS
 PONTICER E MONITORING DIUTE
 THE MOUNTING AND DEBOUTING
 GOMME COMPRESSE
 COMPRESSED AIR
 PNEUMATICO INCAICATA
 THE REPAIRING
 SOLLEVAMENTO E ACCESSORI
 LIFTING AND ACCESSORIES
 CURA E MANUTENZIONE
 THE CARE AND MAINTENANCE
 UTTERI E ACCESSORI
 OTHER EQUIPMENTS AND ACCESSORIES
 TPMS
 TPMS

BUSSOLE ITALMATIC
ITALMATIC IMPACT SOCKETS
ITALMATIC DOUILLES

Con attacco quadro 3/4" - corte
With square drive 3/4" - short - Avec connexion carrée 3/4" - courtes

Codice Code Code	Misura mm Size in mm Dimension en mm	Ø1	Ø2	Lungh. mm Length in mm Longueur en mm	T
3030100	17	31	44	51	10
3030101	19	33,5	44	51	12
3030102	21	36	44	51	14
3030103	22	37	44	51	14
3030104	23	38,5	44	51	14
3030105	24	39,5	44	51	16
3030105A	25				
3030105B	26				
3030106	27	43,5	44	54	18
3030107	28	44	44	54	18
3030107A	29				
3030108	30	47	44	54	20
3030109	32	49,5	44	57	22
3030110	33	51	44	57	22
3030110A	34				
3030111	36	54,5	44	57	24
3030112	38	57	44	57	24
3030112A	41				



3030100

Con attacco quadro 3/4" - lunghe
With square drive 3/4" - long - Avec connexion carrée 3/4" - longues

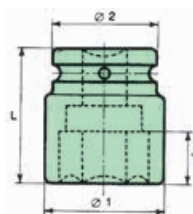
Codice Code Code	Misura mm Size in mm Dimension en mm	Ø1	Ø2	Lungh. mm Length in mm Longueur en mm	T
3030116	22	37	44	100	14
3030117	24	39,5	44	100	16
3030118	27	43,5	44	100	18
3030119	30	47	44	100	20
3030120	32	49,5	44	100	22
3030121	33	51	44	100	22
3030121A	34				
3030122	36	54,5	44	100	24



3030116

Con attacco quadro 1" - corte
With square drive 1" - short - Avec connexion carrée 1" - courtes

Codice Code Code	Misura mm Size in mm Dimension en mm	Ø1	Ø2	Lungh. mm Length in mm Longueur en mm	T
3030126	24	42,5	54	60	16
3030127	27	46,5	54	60	18
3030128	30	50	54	62	20
3030129	32	52,5	54	63	22
3030130	33	54	54	63	22
3030131	36	57,5	54	67	24
3030132	38	60	54	67	24



3030126

Con attacco quadro 1" - lunghe
With square drive 1" - long - Avec connexion carrée 1" - longues

Codice Code Code	Misura mm Size in mm Dimension en mm	Ø1	Ø2	Lungh. mm Length in mm Longueur en mm	T
3030136	24	42,5	54	110	16
3030137	27	46,5	54	110	18
3030138	30	50	54	110	20
3030139	32	52,5	54	110	22
3030140	33	54	54	110	22
3030141	36	57,5	54	110	24
3030142	38	60	54	110	24



Bussole con attacco quadro 1" - lunghe - sottili
Impact sockets with square drive 1" - long - thin
Doilles avec connexion carrée 1" - longues - minces

Codice Code Code	Misura mm Size in mm Dimension en mm	Ø1	Ø2	Lungh. mm Length in mm Longueur en mm	T
3030143A	27	42,5	51	110	43
3030143B	32	47	51	110	43
3030143C	33	49	51	110	43



Raccordi per bussole
Couplings for impact sockets - Raccords pour douilles

Codice Code Code	Descrizione Description Description	Attacco femmina Female drive Connexion femelle	Attacco maschio Male drive Connexion mâle	Lungh. mm Length in mm Longueur en mm
3030145	Riduzione Reduction Réduction	3/4"	1/2"	60
3030146	Riduzione Reduction Réduction	1"	3/4"	74
3030147	Moltiplica Multiplier Multiplicateur	3/4"	1"	65



Prolunghe per bussole
Extensions for impact sockets - Rallonges pour douilles

Codice Code Code	Descrizione Description Description	Attacco femmina Female drive Connexion femelle	Attacco maschio Male drive Connexion mâle	Lungh. mm Length in mm Longueur en mm
3030150	Prolunga Extension Rallonge	3/4"	3/4"	175
3030151	Prolunga Extension Rallonge	3/4"	3/4"	250



CONTRAPÈS DE BRANCIA
 BRANCHING HEADS
 VALVULE E Prolunghe
 VALVES AND EXTENSIONS
 COVERLED
 DRILLING
 PONTONER E MANUTENZIONE
 THE MAINTENANCE AND REPAIRING
 GOLF COMPRESSOR
 COMPRESSED AIR
 PROTEZIONE NEUMATICI
 TIRE REPAIRING
 SOLLEVAMENTO E ACCESSORI
 LIFTING AND ACCESSORIES
 CURA E MANUTENZIONE
 TIRE CARE AND MAINTENANCE
 ATTREZZATURE E ACCESSORI
 OTHER EQUIPMENTS AND ACCESSORIES
 TPMS
 TPMS

BUSSOLE ITALMATIC
ITALMATIC IMPACT SOCKETS
ITALMATIC DOUILLES

Accessori per bussole
Accessories for impact sockets
Accessoires pour douilles

Codice Code Code	Descrizione Description Description	Misura mm Size in mm Dimension en mm
3030155	Set 8 bussole rimuovi bulloni Set 8 impact sockets for wheel lug nuts removal Jeu 8 douilles pour enlèvement boulons	17/18,5/20/21,5 23/24,5/26/27,5



3030155



3030097E



3030097F



3030097G



3030097H



3030097J

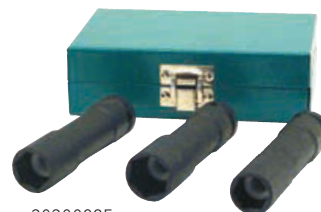


3030097K

Kit di bussole da 1/2"
Kit of impact sockets 1/2"
Jeu de douilles 1/2"

Codice Code Code	Descrizione Description Description	Contenuto	Lungh. mm Length in mm Longueur en mm
3030097E	Set 4 bussole 1/2" doppia misura + 1 estensione Set 4 impact sockets 1/2" double size + 1 extension Jeu 4 douilles 1/2" dimension double + 1 extension	18.5x19.5 - 21x21.5 22x22.5 - 27x27.5 estensione 75mm	63/75
3030097F	Set 3 bussole 1/2" Set 3 impact sockets 1/2" Jeu 3 douilles 1/2"	17.5 - 19.5 - 21.5 estensione 75mm	80
3030097G	Set 5 bussole 1/2" doppia estremità Hex/ Twist + 1 estensione Set 5 impact sockets 1/2" double end Hex/Twist + 1 extension Jeu 5 douilles 1/2" double extrémité Hex/Twist + 1 extension	17 - 19 - 21 13x16 - 7x8 estensione 76mm	
3030097H	Set 3 bussole esagonali + 3 bussole Twister + attrezzo rimozione Set 3 hexagonal impact sockets + 3 Twister impact sockets + removal tool Jeu 3 douilles hexagonales + 3 douilles Twister + outil enlèvement	"hex 17 - 19 - 21 Twist 17 - 19 - 21 pin 100mm"	85/30
3030097J	Set 2 bussole rivestite doppia misura + 1 estensione Set 2 coated impact sockets double size + 1 extension Jeu 2 douilles habillées dimension double + 1 extension	17x19 - 21x22 estensione 75mm	78/75
3030097K	Set 3 bussole rivestite doppia misura + 1 estensione Set 3 coated impact sockets double size + 1 extension Jeu 3 douilles habillées dimension double + 1 extension	17x19 - 3/4x13/16 21x7/8 estensione 75mm	78/75
3030098D	Set 3 bussole attacco quadro 1/2" lunghe - Rivestite in plastica Set 3 impact sockets with square drive 1/2" long - Plastic coated Jeu 3 douilles avec connexion carrée 1/2" longues - Plastifiées	17 - 19 - 21	85
3030098E	Set 3 bussole sottili attacco quadro 1/2" Set 3 thin impact sockets with square drive 1/2" Jeu 3 douilles avec connexion carrée 1/2"	17 - 19 - 21	85
3030098F	Set 3 bussole attacco quadro 1/2" extra lunghe - Rivestite in plastica Set 3 impact sockets with square drive 1/2" extra long - Plastic coated Jeu 3 douilles avec connexion carrée 1/2" extra longues - Plastifiées	17 - 19 - 21	150

3030098D



3030098E



3030098F

BUSSOLE ITALMATIC
ITALMATIC IMPACT SOCKETS
ITALMATIC DOUILLES



3030158



3030158D



3030158B



Kit per dadi e bulloni antifurto
Kit for anti-theft nuts and bolts / Kit pour écrous et boulons antivol

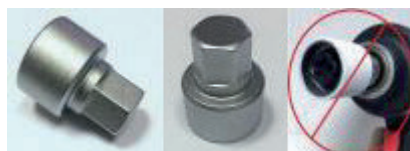
Codice Code Code	Descrizione Description Description	Note Notes Notes
3030158	Kit 20+1 pezzi BMW 20+1 pcs kit for BMW Jeu 20+1 pieces pour BMW	20x #30x13PT, #31x15PT, #32x16PT, #33x17PT, #34x18PT, #35x19PT, #36x20PT, #37x21PT, #38x22PT, #40x23PT, #11x15PT, #12x14PT, #13x16PT, #14x12PT, #15x11PT, #16x10PT, #17x7PT, #18/13PT, #19x8PT, #20x9PT 1x -Thin wall wheel socket: 1/2"Dr. x 17mm x 85 mm (L.)
3030158B	Kit 22+1 pezzi VAG 22+1 pcs kit for VAG Jeu 22+1 pieces pour VAG	22 x #51/6PT, #52/7PT, #53/8PT, #54/9PT, #55/10PT, #56/11PT, #57/18PT, #58/13PT, #59/14PT, #60/15PT, #61/16PT, #62/17PT, ABC0/10PT, ABC1/11PT, ABC2/13PT, ABC3/14PT, ABC4/15PT, ABC5/16PT, ABC6/17PT, ABC7/19PT, ABC8/20PT, ABC9/21PT 1x Thin wall wheel socket: 1/2"Dr. x 17mm
3030158D	Kit 20 pezzi BMW 20 pcs kit for BMW Jeu 20 pieces pour BMW	20x #41,#42,#43,#44,#45,#46,#47,#48,#49,#50, #51,#52,#53,#54,#55,#56,#57,#58,#59,#60



3030158F



3030158H



3030158J



Kit per dadi e bulloni antifurto
Kit for anti-theft nuts and bolts / Kit pour écrous et boulons antivol

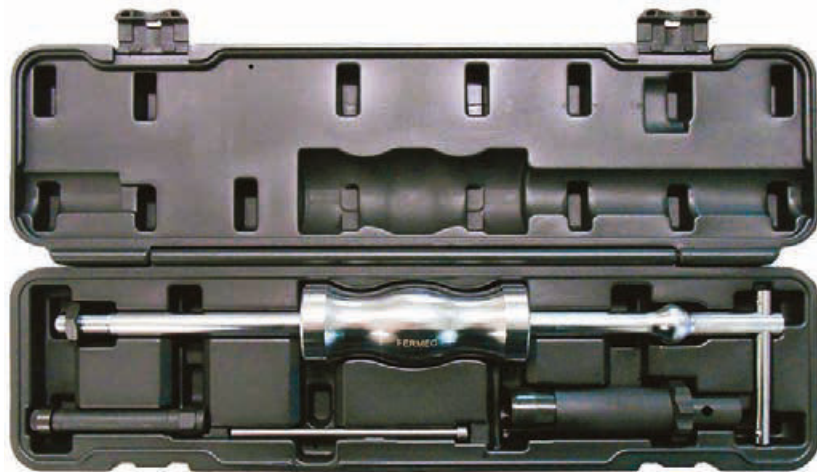
Codice Code Code	Descrizione Description Description	Note Notes Notes
3030158F	Kit 20 pezzi VW 20 pcs kit for VW Jeu 20 pieces pour VW	20x #521,#522,#523,#524,#525,#526, #527,#528,#529,#530, #531 #532,#533,#534,#535,#536,#537,#538,#539,#540
3030158H	Kit 20 pezzi AUDI 20 pcs kit for AUDI Jeu 20 pieces pour AUDI	20x #801,#802,#803,#804,#805,#806,#807,#808,#809,#810, #811,#812,#813,#814,#815,#816,#817,#818,#819,#820
3030158J	Kit 30 pezzi MERCEDES 30 pcs kit for MERCEDES Jeu 30 pieces pour MERCEDES	30x #301,#302,#303,#304,#305,#306,#307,#308,#309,#310 #311,#312,#313,#314,#315,#316,#317,#318,#319,#320 #321,#322,#323,#324,#325,#326,#327,#328,#329,#330

CONTROPEZZI PER IL MANICOTTO
BALANCING WEIGHTS
VALVOLE E PULVISCHIE
VALVES AND EXTENSION
COVERLID
COUVERCLOS
MONTAGGIO E MANUTENZIONE
THE MOUNTING AND MAINTENANCE
GOLIA COMPRESSA
COMPRESSED AIR
PROTEZIONE PNEUMATICA
TYRE REPAIRING
SOLLEVAMENTO E ACCESSORI
LIFTING AND ACCESSORIES
CURE E MANUTENZIONE
TYRE CARE AND MAINTENANCE
ATTREZZATURE E ACCESSORI
OTHER EQUIPMENTS AND ACCESSORIES
TPMS
TPMS

ESTRATTORI PER BULLONI DI SICUREZZA

EXTRACTORS FOR SAFETY BOLTS

EXTRACTEURS POUR BOULONS DE SÉCURITÉ



3030098P



Estrattore per bulloni di sicurezza per BMW

Extractor for safety bolts for BMW

Extracteur pour boulons de sécurité pour BMW

Codice Code Code	Descrizione Description Description
3030098P	Estrattore Puller bulloni sicurezza BMW&MINI Puller extractor for safety bolts BMW&MINI Extracteur Puller pour boulons de sécurité BMW&MINI
3030098P1	Ricambio estrattore con griffe per Puller Extractor spare with claws for Puller Rechange extracteur avec mors pour Puller
3030098P2	Ricambio perno con impronta multirighe per Puller Pin spare with multi-line imprint for Puller Rechange goujon avec empreinte multi-lignes pour Puller
3030098P3	Asta ricambio per Puller Spare rod for Puller Tige de rechange pour Puller
3030098P4	Martello a massa battente per Puller Blowback hammer for Puller Marteau à chocs pour Puller



Estrattore per bulloni di sicurezza universale
Universal extractor for safety bolts
Extracteur pour boulons de sécurité universel

Codice Code Code	Descrizione Description Description
3030098PU	Set universale per rimozione bulloni di sicurezza <i>Universal set for safety bolts removal</i> <i>Jeu universel pour enlèvement boulons de sécurité</i>
3030098PU1	Lama di ricambio per 3030098PU <i>Spare blade for 3030098PU</i> <i>Lame de rechange pour 3030098PU</i>
3030098PU2	Canotto guida corto per 3030098PU <i>Short guiding sleeve for 3030098PU</i> <i>Canot de guidage court pour 3030098PU</i>
3030098PU3	Lama estrazione nera grande per 3030098PU <i>Black large extraction blade for 3030098PU</i> <i>Lame extraction noire grande pour 3030098PU</i>
3030098PU4	Lama estrazione nera piccola per 3030098PU <i>Black small extraction blade for 3030098PU</i> <i>Lame extraction noire petite pour 3030098PU</i>
3030098PU5	Punzone di centraggio piccolo per 3030098PU <i>Small centering punch for 3030098PU</i> <i>Poinçon de centrage petit pour 3030098PU</i>
3030098PU6	Punzone di centraggio grande per 3030098PU <i>Large centering punch for 3030098PU</i> <i>Poinçon de centrage grand pour 3030098PU</i>
3030098PU7	Molla di ricambio per 3030098PU <i>Spare spring for 3030098PU</i> <i>Ressort de rechange pour 3030098PU</i>

CONTRAPPRESSI PER INCAICCIATURA
 BALANCINGS WEIGHTS
 VALVOLE E PULVISCHIE
 VALVES AND EXHAUSTORS
 COVERLICO
 COUVERTURE
 MONTAGGE E SMONTAGGIO DI
 THE MOUNTING AND DISMOUNTING
 OILI, COMPRESSE
 COMPRESSED AIR
 PRAKTISCHE NEHMARTEN
 THE REPAIRING
 SOULEVEMENTS E ACCESSORI
 LIFTING AND ACCESSORIES
 OUILE ET MANUTENZIONE
 OILS CARE AND MAINTENANCE
 ATTREZZATURE E ACCESSORI
 OTHER EQUIPMENTS AND ACCESSORIES
 TRAPS
 TRAPS

AVVITATORI ITALMATIC
ITALMATIC IMPACT WRENCHES
CLEFS DE VISSAGE ITALMATIC



3030161



3030161A1



3030161B



3030161B1



3030161E



3030161C



3030161F

Avvitatori Italmatic da 1/2"
Italmatic impact wrenches 1/2"
Clefs de vissage Italmatic 1/2"

Codice Code Code	Descrizione Description Description	Coppia max di torsione Max torque Couple de torsion max	Giri al minuto R.P.M. Tours/min.	Peso kg Weight kg Poids kg
3030161	Avvitatore da 1/2" super compatto (9cm) e leggero Super Compact (9cm) and light weight impact wrench 1/2" Clef de vissage 1/2" super compacte (9cm) et légère	678 Nm	8.800	1,34
3030161A1	Avvitatore da 1/2" compatto 12,5cm, alte prestazioni Impact Wrench 1/2" compact size 12,5 cm, high performances Clef de vissage 1/2" compacte 12,5 cm, haute prestations	1350 Nm	7.000	1,8
3030161B	Avvitatore da 1/2" Impact wrench 1/2" / Clef de vissage 1/2"	610 Nm	7.500	2,6
3030161B1	Avvitatore da 1/2" cassa in composito, alte prestazioni Impact Wrench 1/2" composite case, high performances Clef de vissage 1/2" caisse en composite, haute prestations	1370 Nm	8.000	2,1
3030161C	Avvitatore compatto da 1/2" manico dritto Compact impact wrench 1/2" straight handle / Clef de vissage compacte 1/2" poignée droite	610 Nm	9.000	1,35

Avvitatori Italmatic da 3/4"
Italmatic impact wrenches 3/4"
Clefs de vissage Italmatic 3/4"

Codice Code Code	Descrizione Description Description	Coppia max di torsione Max torque Couple de torsion max	Giri al minuto R.P.M. Tours/min.	Peso kg Weight kg Poids kg
3030161E	Avvitatore da 3/4" / Impact wrench 3/4" / Clef de vissage 3/4"	1.492 Nm	4.500	4,0
3030161F	Avvitatore da 3/4" impugnatura posteriore Impact Wrench 3/4" back handle Clef de vissage 3/4" avec poignée postérieure	2.025 Nm	4.000	6,2



3030161L



3030161L1



3030161L2

Avvitatori Italmatic da 1"
Italmatic impact wrenches 1"
Clefs de vissage Italmatic 1"

Codice Code Code	Descrizione Description Description	Coppia max di torsione Max torque Couple de torsion max	Giri al minuto R.P.M. Tours/min.	Peso kg Weight kg Poids kg
3030161L	Avvitatore da 1" professionale - gambo 8" Professional Impact wrench 1" - stem 8" Clef de vissage professionnelle 1" - Tige 8"	2.983 Nm	3.400	11,8
3030161L1	Avvitatore da 1" impugnatura posteriore albero lungo - gambo 6" Impact Wrench 1" back handle long anvil - stem 6" Clef de vissage 1" avec poignée postérieure arbre long - Tige 6"	3.375 Nm	3.800	14,5
3030161L2	Avvitatore da 1" impugnatura posteriore albero lungo, compatto e leggero - gambo 6" Impact Wrench 1" back handle long anvil, compact and light - stem 6" Clef de vissage 1" avec poignée postérieure arbre long, compacte et légère - Tige 6"	2.025 Nm	4.000	7,5

Supporto a pavimento per avvitatore
Impact wrench support stand
Chariot pour clef de vissage

Codice Code Code	Descrizione Description Description
3030161LT	Supporto a pavimento per avvitatore Impact wrench support stand Chariot pour clef de vissage



3030161U



3030161U1



3030161LT

Avvitatori idraulici ad impulsi e centraline
Hydraulic impact wrenches and power units
Clefs de vissage hydrauliques et centrales de puissances

Codice Code Code	Descrizione Description Description	Coppia max di torsione Max torque Couple de torsion max	Peso kg Weight kg Poids kg	Note Notes Notes
3030161U	Avvitatore idraulico 1" - tubo 4 mt Hydraulic impact wrench 1" - hose 4mt Clef de vissage hydraulique 1" - tuyau 4mt	3.500 Nm	6,9	-
3030161U1	Avvitatore idraulico 1" - tubo 4 mt - albero lungo Hydraulic impact wrench 1" - hose 4mt - long anvil Clef de vissage hydraulique 1" - tuyau 4mt - arbre long	3.500 Nm	6,9	-
3030161U1	Centralina idraulica per avvitatori idraulici Power Unit for hydraulic impact wrench Central de puissances pour clef de vissage hydraulique	-	35,8	Input 380V - 50Hz; 3,0HP; 6lt; 400x600x700mm

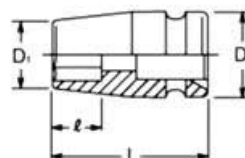
CONTRASPIES DE BRUNNENMOTER
 CONTRASPIES DE BRUNNENMOTER
 VALVOLA E PROLUNGHE
 VALVES AND EXTENSIONS
 COVERGARD
 IMPACTING
 COVERGARD
 IMPACTING
 COVERGARD E MANICUREO BUITE
 FIRE PROTECTING AND DISMOUNTING
 CARIL COMPRESSOR
 COMPRESSED AIR
 OPERAZIONE NEUMATICA
 PNEUMATIC
 SOLLEVAMENTO E ACCESSORI
 LIFTING AND ACCESSORIES
 CURA E MANUTENZIONE
 CARE AND MAINTENANCE
 ATTREZZATURE E ACCESSORI
 OTHER EQUIPMENTS AND ACCESSORIES
 TRAPE
 TRAPS

BUSSOLE KOKEN
KOKEN IMPACT SOCKETS
DOUILLES KOKEN

Bussole Koken attacco quadro 1/2" corte
Koken sockets square drive 1/2" short
Douilles Koken connection carrée 1/2" courtes

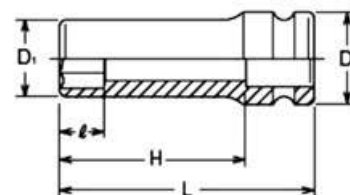
Koken

Codice Code Code	Misura mm Size in mm Dimension en mm	D1	D2	ℓ	Lungh. mm Length in mm Longueur en mm
3030078-KK	13	20,7	25	10	38
3030079-KK	15	23,2	30	11	38
3030080-KK	17	25,7	30	12	38
3030082-KK	19	28,2	30	13	38
3030084-KK	21	30,7	30	14	38
3030085-KK	22	32	30	14	38
3030087-KK	24	34,5	30	14	38
3030088-KK	27	38,2	30	16	38



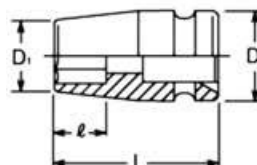
Bussole Koken attacco quadro 1/2" lunghe
Koken sockets square drive 1/2" long
Douilles Koken connection carrée 1/2" longues

Codice Code Code	Misura mm Size in mm Dimension en mm	D1	D2	ℓ	Lungh. mm Length in mm Longueur en mm
3030091-KK	15	23,2	30	15	80
3030092-KK	17	25,7	30	17	80
3030093-KK	19	28,2	30	19	80
3030094-KK	21	30,7	30	21	80
3030095-KK	22	32	30	22	85
3030096-KK	24	34,5	30	24	85
3030097-KK	27	38,2	30	27	85



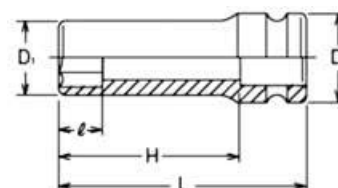
Bussole Koken attacco quadro 3/4" corte
Koken sockets square drive 3/4" short
Douilles Koken connection carrée 3/4" courtes

Codice Code Code	Misura mm Size in mm Dimension en mm	D1	D2	ℓ	Lungh. mm Length in mm Longueur en mm
3030105-KK	24	38,8	44	16	50
3030106-KK	27	42,5	44	16	50
3030108-KK	30	46,3	44	18	53
3030109-KK	32	48,8	44	19	53
3030110-KK	33	50	44	20	55



Bussole Koken attacco quadro 3/4" lunghe
Koken sockets square drive 3/4" long
Douilles Koken connection carrée 3/4" longues

Codice Code Code	Misura mm Size in mm Dimension en mm	D1	D2	ℓ	Lungh. mm Length in mm Longueur en mm
3030117-KK	24	38,8	44	24	100
3030118-KK	27	42,5	44	27	100
3030119-KK	30	46,3	44	30	100
3030120-KK	32	48,8	44	32	100
3030121-KK	33	50	44	33	100





Bussole con attacco quadro 1/2" – lunghe
Impact sockets with square connection 1/2" / Douilles avec connexion carrée 1/2"

Codice Code Code	Misura mm Size mm Dimension mm	Ø1	Ø2	Lung. mm. Length mm Longueur mm	T mm.
3030091IR	15	24	24	78	19
3030092IR	17	26	26	78	19
3030093IR	19	28	28	78	19
3030094IR	21	30	30	78	21
3030095IR	22	32	32	78	21
3030096IR	24	34	34	78	21
3030097IR	27	38	38	78	21

Bussole con attacco quadro 3/4" – lunghe
Impact sockets with square connection 3/4" – long / Douilles avec connexion carrée 3/4" - longues

Codice Code Code	Misura mm Size mm Dimension mm	Ø1	Ø2	Lung. mm. Length mm Longueur mm	T mm.
3030117IR	24	38,5	44	90	18
3030118IR	27	42,5	44	90	22
3030119IR	30	46	44	90	22
3030120IR	32	48,5	44	90	22
3030121IR	33	50	44	90	25



Bussole con attacco quadro 1" – lunghe
Impact sockets with square connection 1" – long / Douilles avec connexion carrée 1" - longues

Codice Code Code	Misura mm Size mm Dimension mm	Ø1	Ø2	Lung. mm. Length mm Longueur mm	T mm.
3030137IR	27	45	54	90	25
3030138IR	30	49	54	90	25
3030139IR	32	51,5	54	90	25
3030140IR	33	52,5	54	90	25

Kit di Bussole da 1/2" – lunghe – rivestite
Kit of impact sockets 1/2" – long- coated / Jeu de douilles 1/2" – longues – habillées

Codice Code Code	Descrizione Description Description
3030098DIR	Set 3 buss. lunghe att. quadro 1/2"-Rivestite in Plastica / Set 3 long imp. sock.-sq. drive 1/2"- Plastic coated / Jeu 3 douilles longues connexion carrée 1/2" – plastifiées



3030098DIR



3030150IR

Adattatori per bussole
Adapters for impact sockets / Adaptateurs pour douilles

Codice Code Code	Descrizione Description Description	Attacco femmina Female connection Connexion femelle	Attacco maschio Male connection Connexion mâle
3030145IR	Riduzione Reduction Réduction	3/4 "	1/2 "
3030146IR	Riduzione Reduction Réduction	1 "	3/4 "

Estensioni per bussole
Extensions for impact sockets / Rallonges pour douilles

Codice Code Code	Descrizione Description Description	Attacco femmina Female connection Connexion femelle	Attacco maschio Male connection Connexion mâle
3030149IR	Estensione Extension Rallonge	1/2 "	125
3030150IR	Estensione Extension Rallonge	3/4 "	175
3030152IR	Estensione Extension Rallonge	1 "	175

CONTROPESE DI RILASCIAMENTO
 VALVES AND EXTENSIONS
 COVERED
 IMPACTS
 MONTAGE ET MANUTENZIONE
 THE MOUNTING AND MAINTENANCE
 OIL COMPRESSOR
 COMPRESSED AIR
 PRODUZIONE NEUMATICA
 THE REPORTING
 SOLEMMENTE E ACCESSORI
 LIFTING AND ACCESSORIES
 OMBRE MANUTENZIONE
 THE CARE AND MAINTENANCE
 ATTREZZI E ACCESSORI
 OTHER EQUIPMENTS AND ACCESSORIES
 TPMS
 TPMS



3030161M



3030161MC



3030161N



3030161P

Avvitatori Ingersoll da 1/2"
Ingersoll impact wrenches 1/2"
Clefs de vissage Ingersoll 1/2"

Codice Code Code	Descrizione Description Description	Modello Model Modèle	Coppia max di torsione Max torque Couple de torsion max	Giri al minuto R.P.M. Tours/min.	Peso kg. Weight kg. Poids kg.
3030161M	Avvitatore ad impulsi 1/2" Impulse impact wrench Twin 1/2" Hammer Plus 1/2"	231GXP	475-610 Nm	8.000	2,63
3030161MC	Avvitatore ad impulsi 1/2" Impulse impact wrench Twin 1/2" Hammer Plus 1/2"	36QMAX	870 Nm	8.000	1,1
3030161N	Avvitatore ad impulsi 1/2" Impulse impact wrench Twin 1/2" Hammer Plus 1/2"	2130XP	474-816 Nm	9.500	1,90
3030161P	Avvitatore ad impulsi 1/2" Impulse impact wrench Twin 1/2" Hammer Plus 1/2"	2135QXPA	949/1057 Nm	9.800	1,80

AVVITATORI INGERSOLL
INGERSOLL IMPACT WRENCHES
CLEFS DE VISSAGE INGERSOLL



3030161R



3030161S



3030161S6



3030161RB

Avvitatori Ingersoll da 3/4"
Ingersoll impact wrenches 3/4"
Clefs de vissage Ingersoll 3/4"

Codice Code Code	Descrizione Description Description	Modello Model Modèle	Coppia max di torsione Max torque Couple de torsion max	Giri al minuto R.P.M. Tours/min.	Peso kg. Weight kg. Poids kg.
3030161S	Avvitatore ad impulsi 3/4" Impulse impact wrench 3/4" Clef de vissage à impulsions 3/4"	2146QiMAX	1.770-1.970 2.700 Nm	5.500	3,5
3030161S6	Avvitatore ad impulsi 3/4" con albero 150mm Impulse impact wrench 3/4" with shaft 150mm Clef de vissage à impulsions 3/4" avec arbre 150mm	2146QiMAX-6	1.770-1.970 2.700 Nm	5.500	4,6
3030161R	Avvitatore ad impulsi 3/4" Impulse impact wrench 3/4" Clef de vissage à impulsions 3/4"	261	813/1.491 Nm 2.700 Nm	5.500	5,62
3030161RB	Avvitatore ad impulsi 3/4" Impulse impact wrench 3/4" Clef de vissage à impulsions 3/4"	2925RBP1Ti	1.288/1.898/2.176 Nm 2.700 Nm	5.200	5,44



Avvitatori Ingersoll da 1"
Ingersoll impact wrenches 1"
Clefs de vissage Ingersoll 1"

Code Code Code	Descrizione Description Description	Modello Model Modèle	Coppia max di torsione Max torque Couple de torsion max	Giri al minuto R.P.M. Tours/min.	Peso kg. Weight kg. Poids kg.
3030161V	Avvitatore ad impulsi 1" Impulse impact wrench 1" Clef de vissage à impulsions 1"	295A	2.400 Nm	5.000	9,98
3030161V6	Avvitatore ad impulsi 1" albero 150mm Impulse impact wrench 1" shaft 150mm Clef de vissage à impulsions 1" arbre 150mm	295A-6	2.400 Nm	5.000	11,40
3030161X3	Avvitatore ad impulsi 1" Impulse impact wrench 1" Clef de vissage à impulsions 1"	285B	1.464/2.400 Nm	5.250	11,2
3030161X	Avvitatore ad impulsi 1" albero 150mm Impulse impact wrench 1" shaft 150mm Clef de vissage à impulsions 1" arbre 150mm	285B-6	1.464-2.400 Nm	5.250	12,60



AVVITATORI INGERSOLL
INGERSOLL IMPACT WRENCHES
CLEFS DE VISSAGE INGERSOLL



3030161X2



3030161X1



3030161V8



3030161V8L

Avvitatore ad impulsi 1"
Impulse impact wrench 1"
Clef de vissage à impulsions 1"

Codice Code Code	Descrizione Description Description	Modello Model Modèle	Coppia max di torsione Max torque Couple de torsion max	Giri al minuto R.P.M. Tours/min.	Peso kg. Weight kg. Poids kg.
3030161X2	Avvitatore ad impulsi 1" Impulse impact wrench 1" Clef de vissage à impulsions 1"	2850MAX	2.715/2.850 Nm	5.500	8,8
3030161X1	Avvitatore ad impulsi 1" albero 150mm Impulse impact wrench 1" shaft 150mm Clef de vissage à impulsions 1" arbre 150mm	2850MAX-6	2.715-2.850 Nm	5.500	9,8
3030161V8	Avvitatore ad impulsi 1" Impulse impact wrench 1" Clef de vissage à impulsions 1"	2175MAX	2.175 Nm	4.500	8,2
3030161V8L	Avvitatore ad impulsi 1" albero 150mm Impulse impact wrench 1" shaft 150mm Clef de vissage à impulsions 1" arbre 150mm	2175MAX-6	2.175 Nm	4.500	9,1



3030161VB



3030161VBL

Avvitatore ad impulsi 1"
Impulse impact wrench 1"
Clef de vissage à impulsions 1"

Codice Code Code	Descrizione Description Description	Modello Model Modèle	Coppia max di torsione Max torque Couple de torsion max	Giri al minuto R.P.M. Tours/min.	Peso kg. Weight kg. Poids kg.
3030161V9	Avvitatore ad impulsi 1" Impulse impact wrench 1" Clef de vissage à impulsions 1"	2925RBP3TI	1.898/2.176 Nm	5.200	5,54
3030161V9L	Avvitatore ad impulsi 1" albero 150mm Impulse impact wrench 1" shaft 150mm Clef de vissage à impulsions 1" arbre 150mm	2925RBP3TI-6	1.898/2.176 Nm	5.200	6,54



3030161CAR

Carrello silenziato per avvitatori
Silenced trolley for impact wrenches
Chariot silencieux pour clefs de vissage

Codice Code Code	Descrizione Description Description
3030161CAR	Carrello silenziato per avvitatori Silenced trolley for impact wrenches Chariot silencieux pour clefs de vissage



AVVITATORI INGERSOLL
INGERSOLL IMPACT WRENCHES
CLEFS DE VISSAGE INGERSOLL



3030161Y7



3030161Y7L

Kit avvitatore Ingersoll cordless da 1/2"
Kit of cordless Ingersoll impact wrench 1/2"
Jeu de clef de vissage Ingersoll cordless 1/2"

Codice Code Code	Descrizione Description Description	Modello Model Modèle	Coppia max di torsione Max torque Couple de torsion max	Giri al minuto R.P.M. Tours/min.	Peso kg. Weight kg. Poids kg.
3030161Y7	Kit avvitatore ad impulsi cordless (caricabatteria, 2 batteria 5 Ah, valigia) con luce led 360° / Kit of impulse cordless impact wrench (battery charger, 2 batteries, 5 Ah and case) with 360° led light ring Jeu de clef de vissage à impulsions cordless (chargeur de batteries, 2 batteries, 2 batteries 5 AH et mallette) avec lumière led 360°	W7152-K22-EU	1.360-2.040 Nm	0-1.900	3,4
3030161Y7L	Kit avvitatore ad impulsi cordless (caricabatteria, 2 batteria 5 Ah, valigia) con luce led 360°. Albero lungo. Kit of impulse cordless impact wrench (battery charger, 2 batteries, 5 Ah and case) with 360° led light ring. Long stem Jeu de clef de vissage à impulsions cordless (chargeur de batteries, 2 batteries, 2 batteries 5 AH et mallette) avec lumière led 360°	W7252-K22-EU	1.360-2.040 Nm	0-1.900	3,4



AVVITATORI INGERSOLL
INGERSOLL IMPACT WRENCHES
CLEFS DE VISSAGE INGERSOLL



Batterie per utensili cordless
Batteries for cordless wrenches
Piles pour clefs de vissage

Codice Code Code	Descrizione Description Description	Modello Model Modèle
3030161Z5	Batteria 5 aH Battery 5 aH Batterie 5 aH	BL2022
3030161Z6	Caricatore universale singolo Single universal charger Chargeur universel unique	BC1121-EU
3030161Z7	Caricatore universale doppio Double universal charger Chargeur universel double	-



3030161Z5



3030161Z6



3030161Z7

Accessori di manutenzione Ingersoll Rand
Accessories for maintenance Ingersoll Rand
Accessoires pour manutention Ingersoll Rand

Codice Code Code	Descrizione Description Description	Modello Model Modèle
3030161Z1	Kit lubrificante per avvitatori Lubricant kit for impact wrenches Kit lubrifiant pour clef de vissage	115-LBK1



3030161Z1



3030161W



3030161Z

Smerigliatrici Ingersoll
Ingersoll grinders
Ponceuses Ingersoll

Codice Code Code	Descrizione Description Description	Modello Model Modèle	Coppia max di torsione Max torque Couple de torsion max	Giri al minuto R.P.M. Tours/min.	Peso kg. Weight kg. Poids kg.
3030161W	Smerigliatrice 4.500rpm mandrino standard 10mm Grinder 4500 rpm standard chuck 10mm Ponceuse 4500 tours/min. mandrin standard 10mm	LA410-EU	2	4.500	0,91
3030161Z	Smerigliatrice ultraleggera 28.000 rpm pinze 1/4" e 6mm, potente motore da 0.19 KW (0.25 HP) / Ultralight grinder 28000 rpm pliers 1/4" and 6mm, powerful motor 0.19 KW (0.25 HP) Ponceuse ultralégère 28000 tours/min. pinces 1/4" e 6mm, moteur puissant à 0.19 KW (0.25 HP)	307B	-	28.000	0,33

